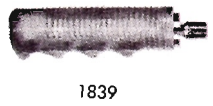
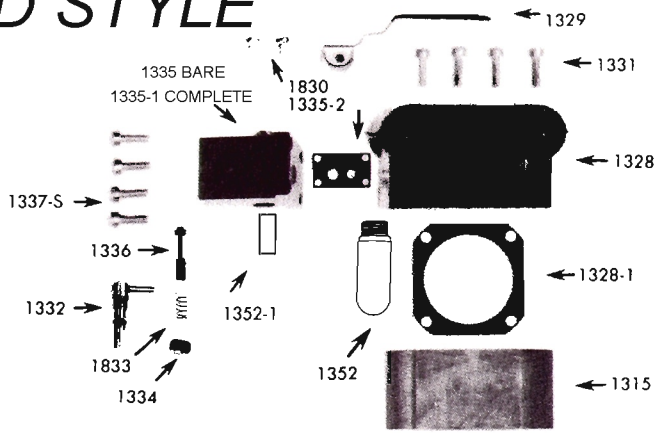


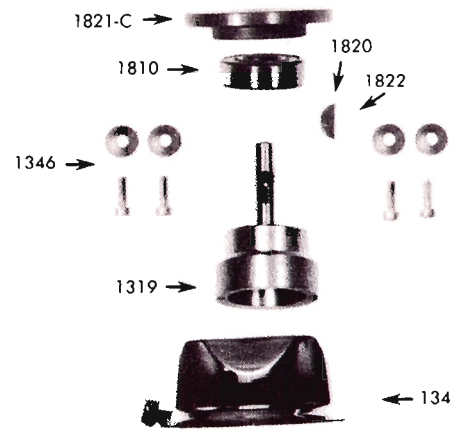
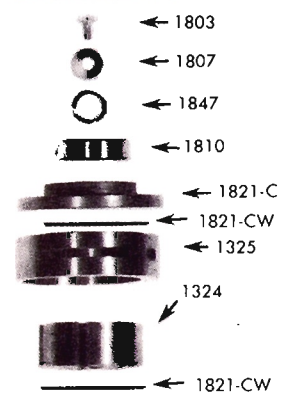
# MODEL# 4500 OLD STYLE



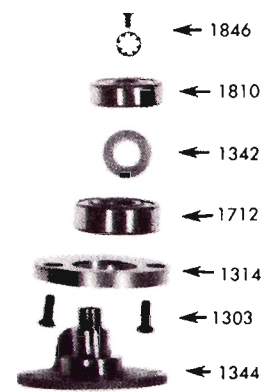
1839



1323-S



5136



For a complete Parts Description and Price List – [Click Here](#)  
 For a complete Pad Reference Sheet – [Click Here](#)