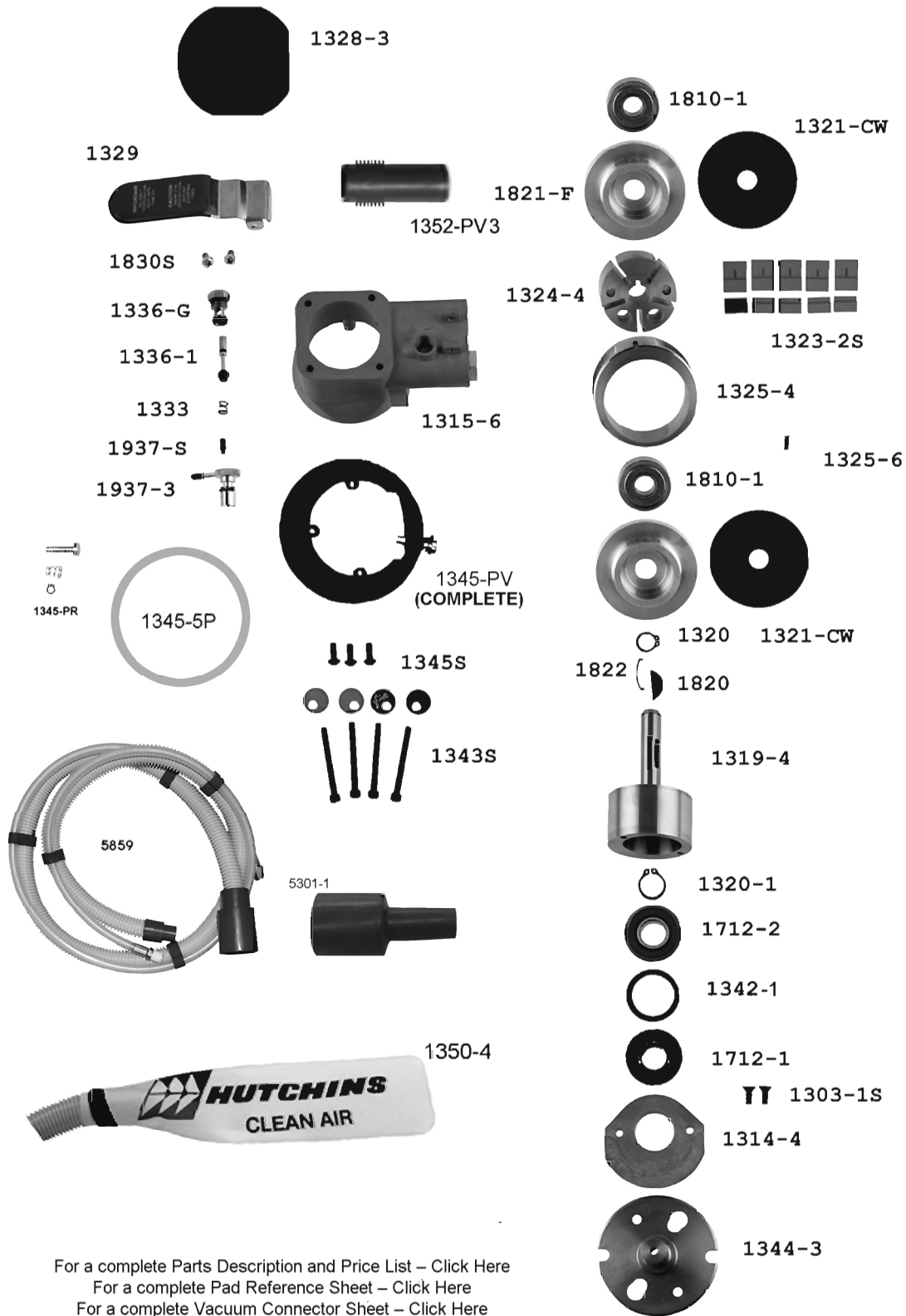


# MODEL 3953



For a complete Parts Description and Price List – [Click Here](#)  
For a complete Pad Reference Sheet – [Click Here](#)  
For a complete Vacuum Connector Sheet – [Click Here](#)