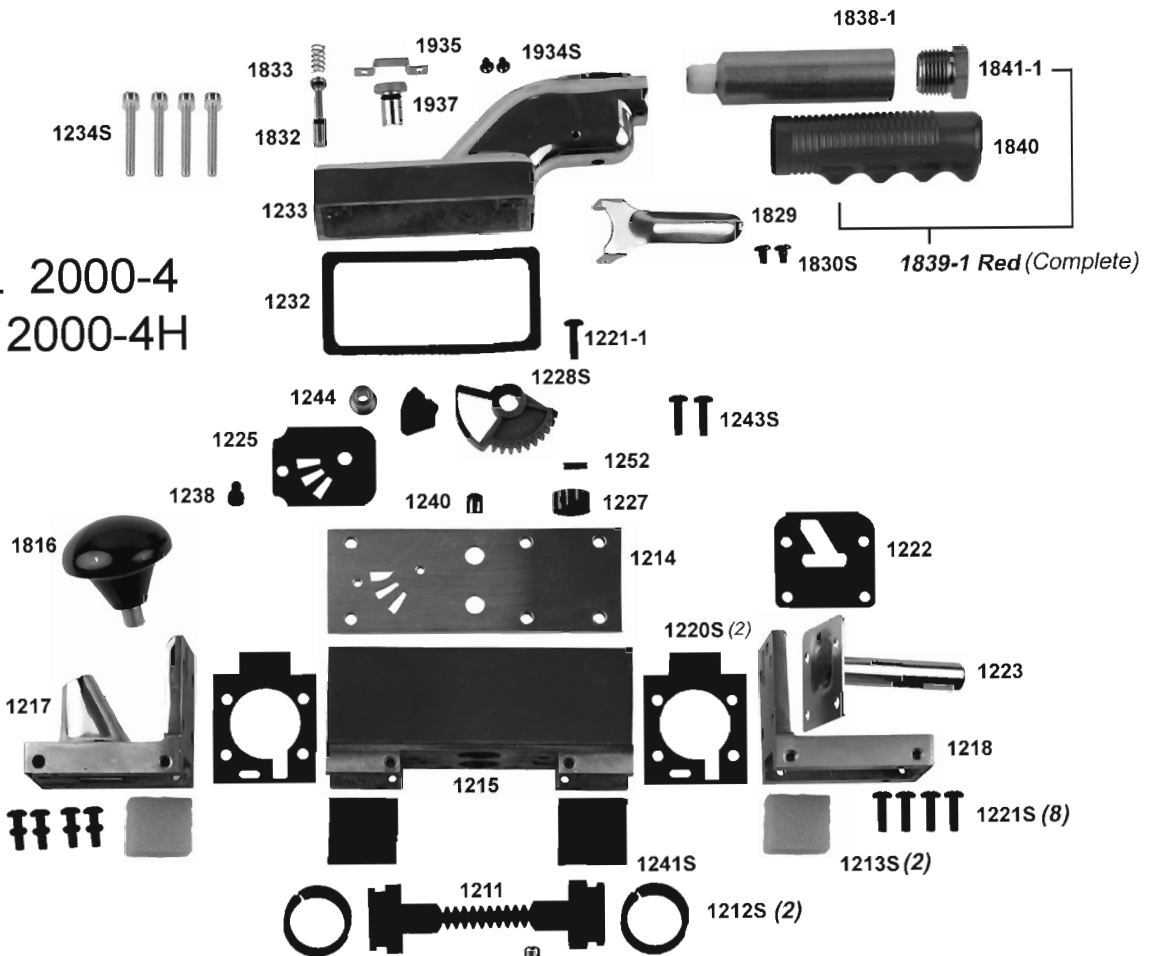


MODEL 2000-4
MODEL 2000-4H



For a complete Parts Description and Price List – [Click Here](#)
For a complete Pad Reference Sheet – [Click Here](#)

